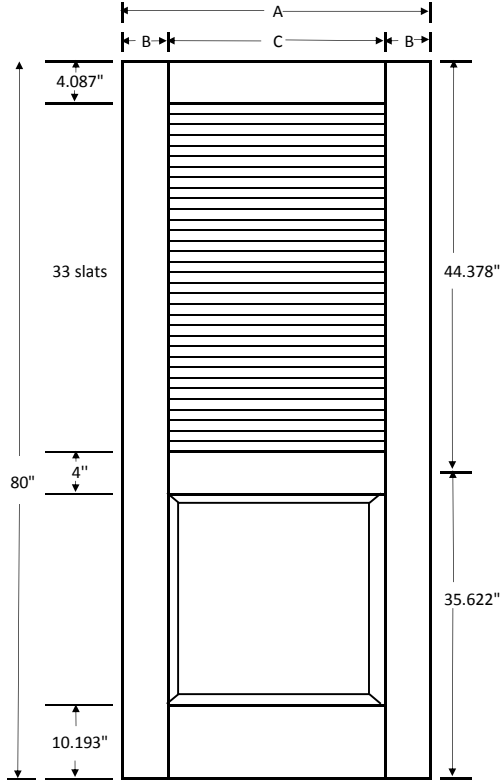


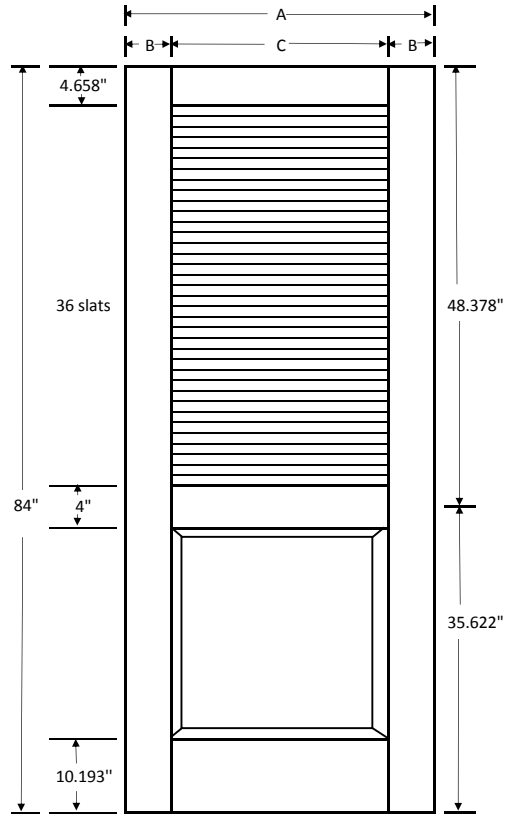
Spec Sheet

Louver over Panel Regular Slats

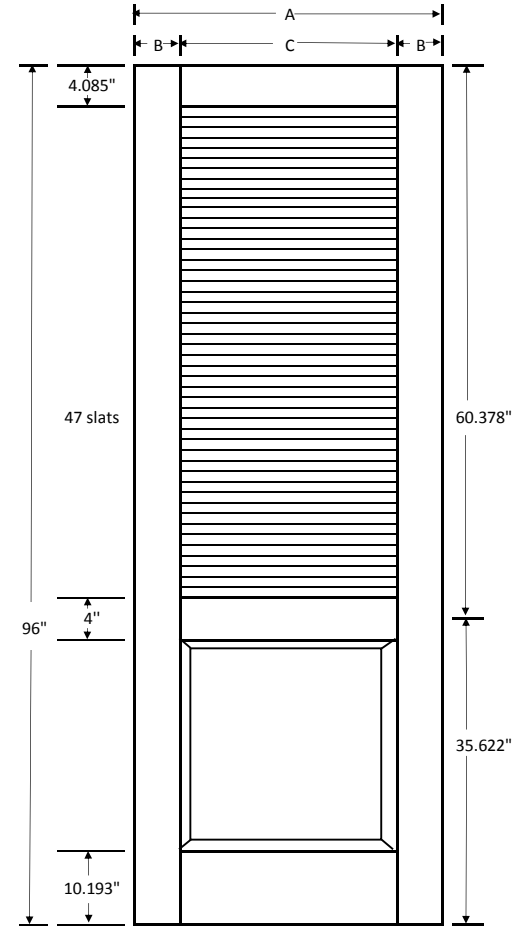
Doors
80"



Doors
84"



Doors
96"



Door Width	Stile Width		Rail length
	A	B	
12"	2"	8"	
14"	2"	10"	
16"	2"	12"	
18"	3-3/8"	11-1/4"	
20"	3-3/8"	13-1/4"	
22"	3-3/8"	15-1/4"	
24"	4-3/8"	15-1/4"	
26"	4-3/8"	17-1/4"	
28"	4-3/8"	19-1/4"	
30"	4-3/8"	21-1/4"	
32"	4-3/8"	23-1/4"	
34"	4-3/8"	25-1/4"	
36"	4-3/8"	27-1/4"	

Lock Rail can also be centered at 46.092"
or in steps of 1.143"

