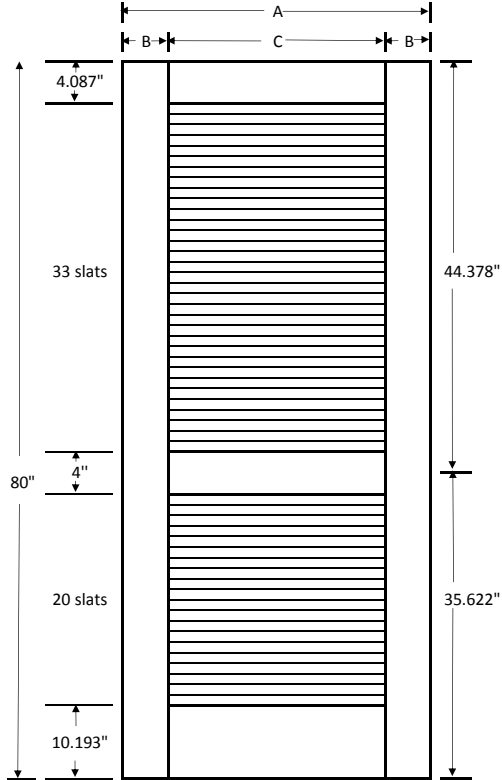


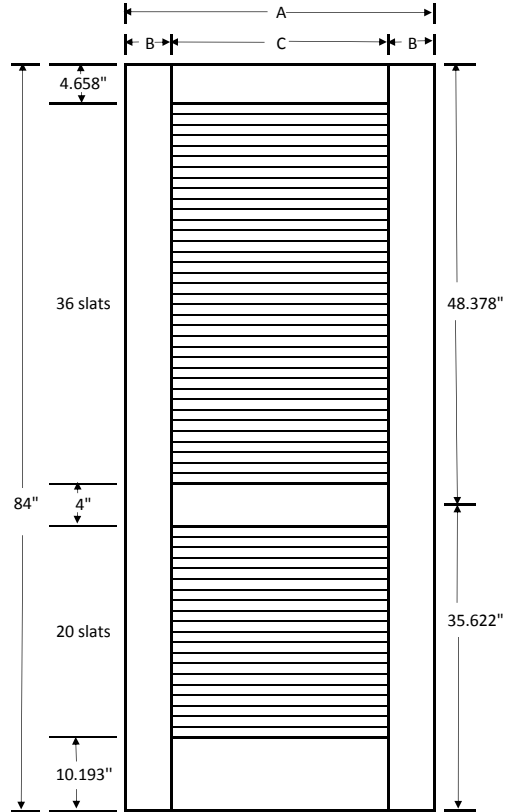
Spec Sheet

Louver over Louver Regular Slats

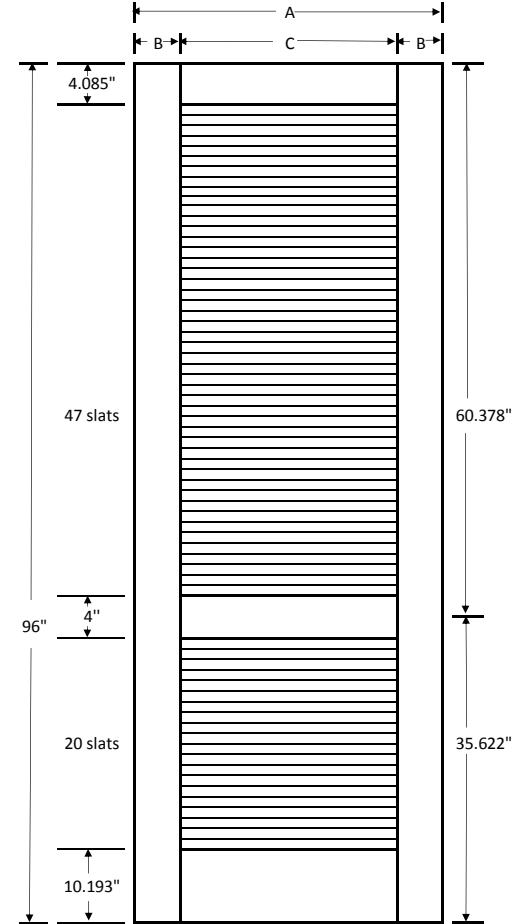
Doors
80"



Doors
84"



Doors
96"



| Door Width | Stile Width | Rail length |
|------------|-------------|-------------|
| A | B | C |
| 12" | 2" | 8" |
| 14" | 2" | 10" |
| 16" | 2" | 12" |
| 18" | 3-3/8" | 11-1/4" |
| 20" | 3-3/8" | 13-1/4" |
| 22" | 3-3/8" | 15-1/4" |
| 24" | 4-3/8" | 15-1/4" |
| 26" | 4-3/8" | 17-1/4" |
| 28" | 4-3/8" | 19-1/4" |
| 30" | 4-3/8" | 21-1/4" |
| 32" | 4-3/8" | 23-1/4" |
| 34" | 4-3/8" | 25-1/4" |
| 36" | 4-3/8" | 27-1/4" |

Lock Rail can also be centered at 46.092"
or in steps of 1.143"

