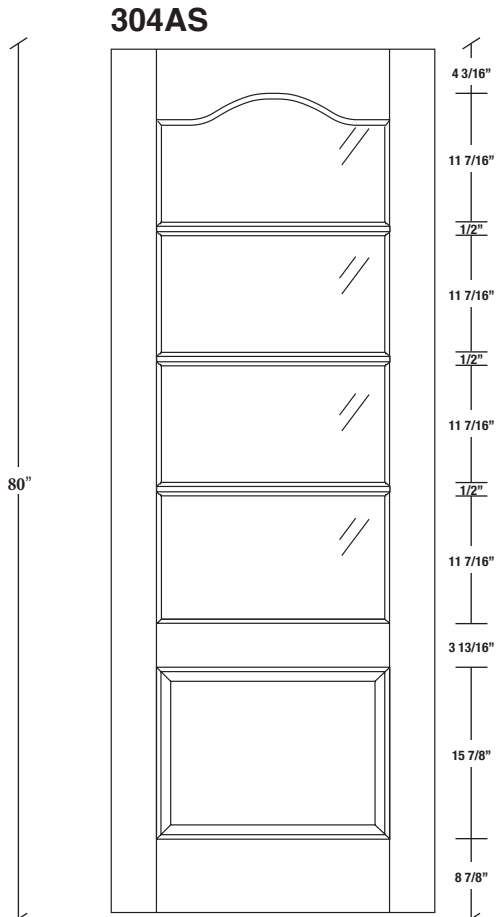


Technical drawings 6/8 - 7/0 - 8/0

French Door - U.S. specs

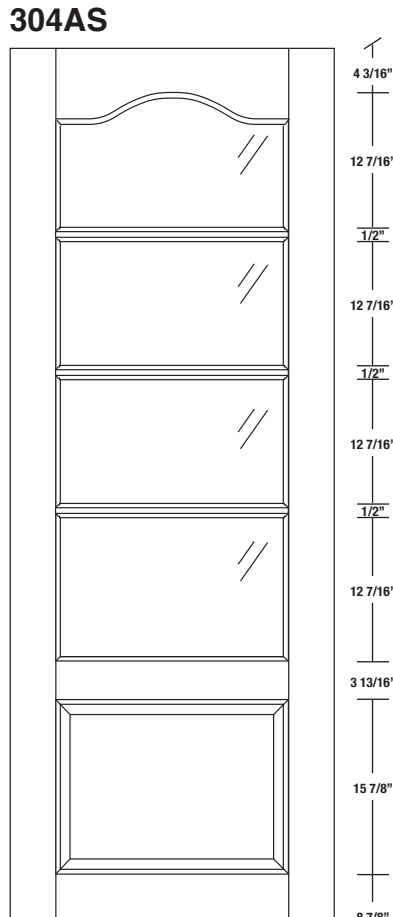


www.pbidoors.com



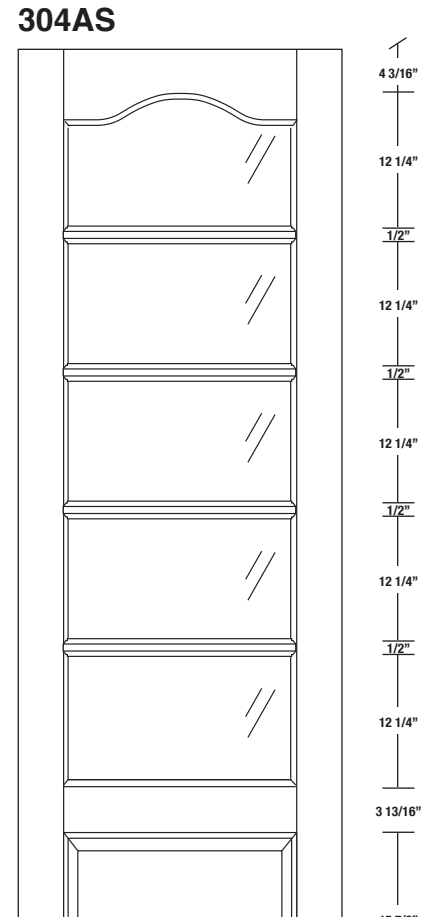
WIDTH	36"	34"	32"	30"	28"	26"	24"
4 3/16"	27 5/8"	25 5/8"	23 5/8"	21 5/8"	19 5/8"	17 5/8"	15 5/8"
4 3/16"	4 3/16"	4 3/16"	4 3/16"	4 3/16"	4 3/16"	4 3/16"	4 3/16"

FOR SMALLER SIZES REFER TO MODEL #304AC P.202



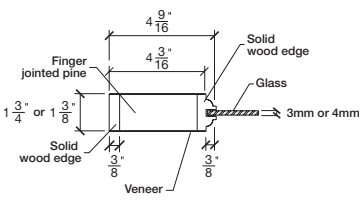
WIDTH	36"	34"	32"	30"	28"	26"	24"
4 3/16"	27 5/8"	25 5/8"	23 5/8"	21 5/8"	19 5/8"	17 5/8"	15 5/8"
4 3/16"	4 3/16"	4 3/16"	4 3/16"	4 3/16"	4 3/16"	4 3/16"	4 3/16"

FOR SMALLER SIZES REFER TO MODEL #304AC P.202

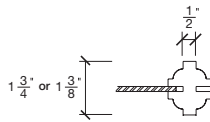


WIDTH	36"	34"	32"	30"	28"	26"	24"
4 3/16"	27 5/8"	25 5/8"	23 5/8"	21 5/8"	19 5/8"	17 5/8"	15 5/8"
4 3/16"	4 3/16"	4 3/16"	4 3/16"	4 3/16"	4 3/16"	4 3/16"	4 3/16"

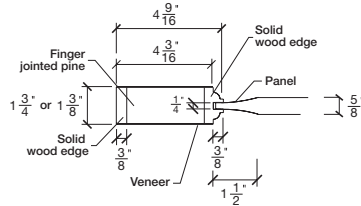
FOR SMALLER SIZES REFER TO MODEL #304AC P.202



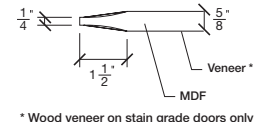
SIDERAIL



MUNTIN BAR



SIDERAIL



5/8" PANEL

* Wood veneer on stain grade doors only

février 2018 (revision 01)